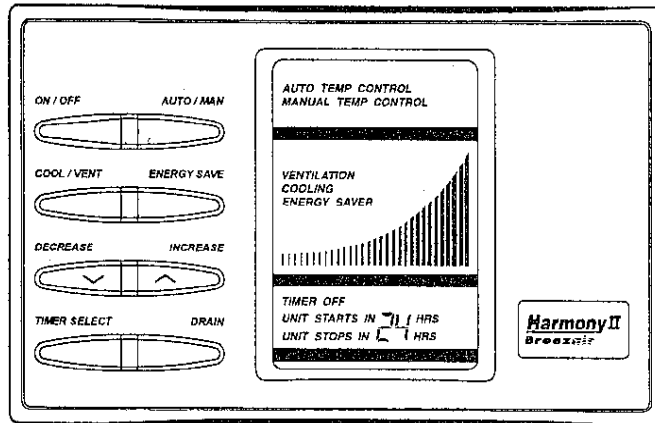


OWNER'S MANUAL

ES / EV SERIES
(PLUG CONNECT)
Harmony II Wall Control



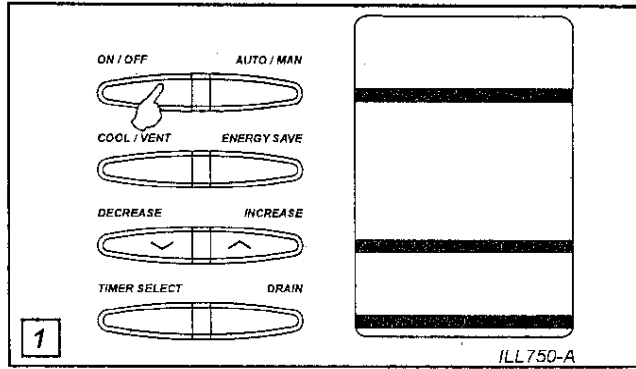
ILL748-B

Breezer

ON/OFF

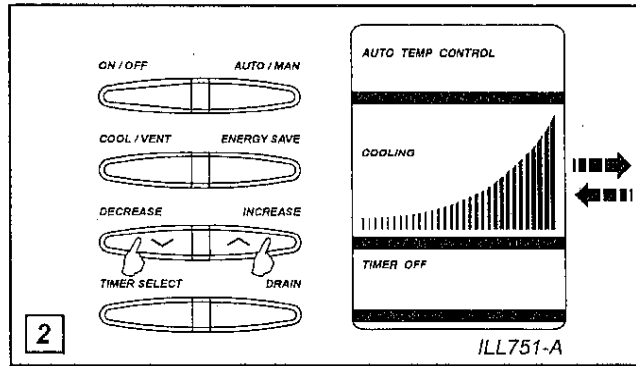
Your wall control can be switched on and off by operating the ON/OFF button. (See fig. 1)

Your wall control will default to the previous settings. However, by using the AUTO/MAN button you can select either automatic or manual control (also see cooling operation).



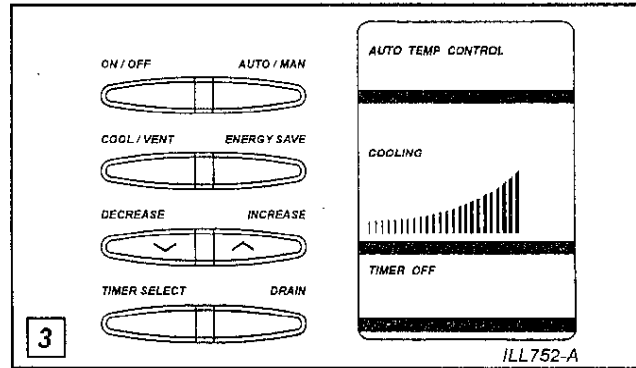
AUTO

During AUTO operation the bar graph can be used to set your desired room temperature. Use the INCREASE and DECREASE buttons to do this. More bars indicate a lower temperature setting. (See fig. 2).



AUTO

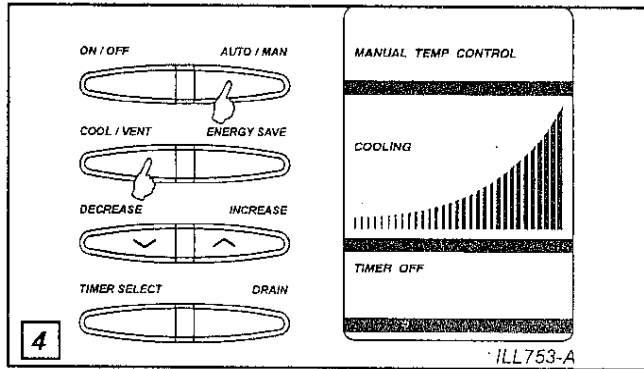
During AUTO control your wall control operates the cooler to maintain your desired room temperature, as indicated by the bar graph. (See fig. 3).



MANUAL

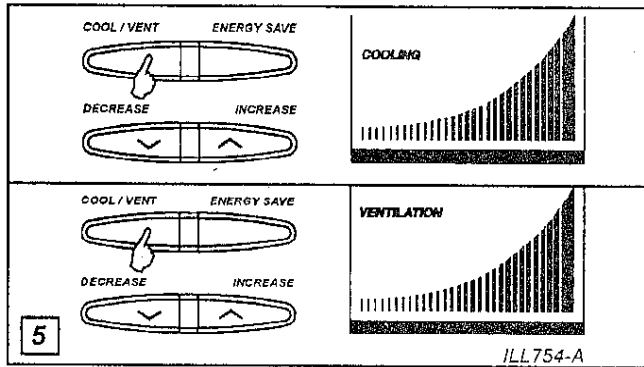
Selecting **MANUAL TEMP CONTROL** allows you to choose between **COOL** (pump on) or **VENT** (fan only) modes. (See fig. 4).

In **VENT** mode, fresh air is drawn in from outside without cooling occurring.



MANUAL

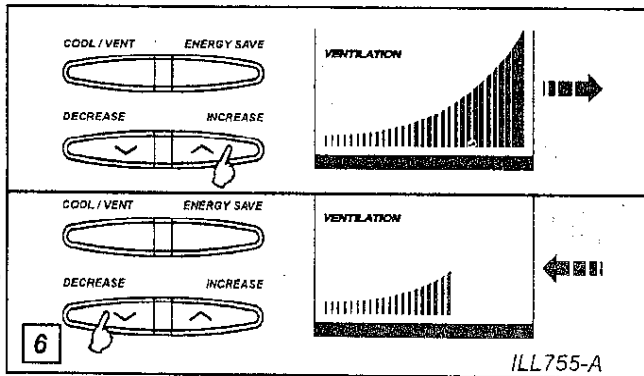
Once **COOL** has been selected, your wall control will maintain the required amount of air flow as illustrated by the bar graph. (See fig 5).



MANUAL

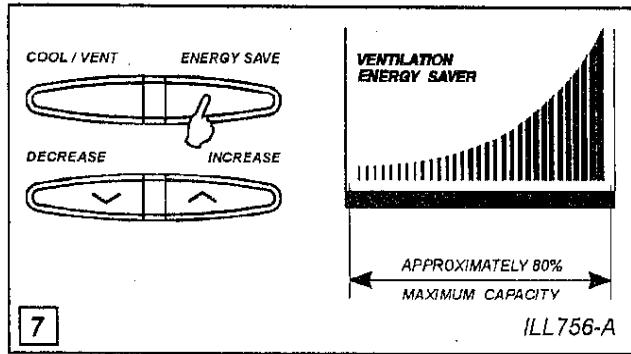
To increase the amount of required cooling or ventilation press the **INCREASE** button.

To decrease the amount of required cooling or ventilation press the **DECREASE** button. (See fig. 6).



ENERGY SAVE

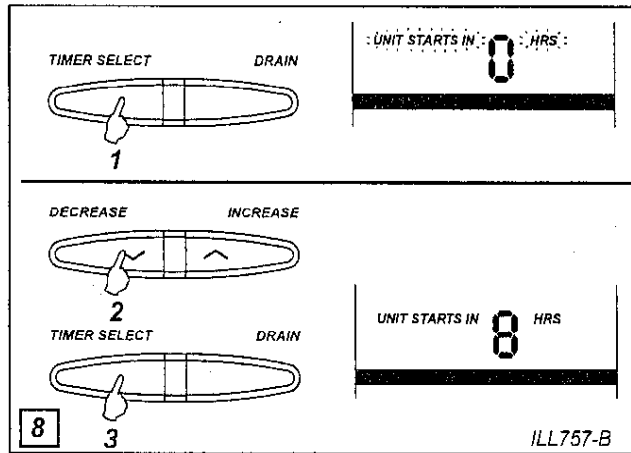
Selecting ENERGY SAVE limits the available cooling or ventilation, and reduces power used by up to 20%. The ENERGY SAVE function can be used in either AUTO or MANUAL modes. (See fig 7).



TIMER

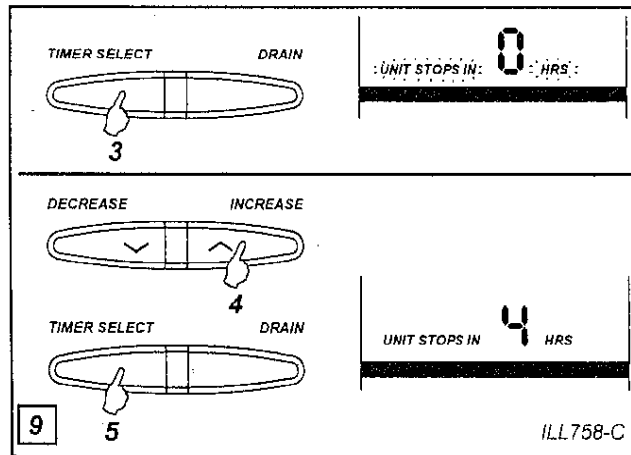
After setting the Harmony controller to the desired comfort level, the timer may be activated using the following method:

(1) Press **TIMER SELECT**: "cooler starts in 0 hrs" will flash. (See fig. 8).



(2) Select the required hour by pressing the **DECREASE** or **INCREASE** button. For example: "cooler starts in 8 hrs". (See fig. 8).

(3) Press **TIMER SELECT** again to illuminate "cooler stops in 0 hrs". (See fig. 9).



(4) Select the required hours by pressing **DECREASE/ INCREASE** buttons. For example "cooler stops in 4 hrs". This means the cooler will run for 4 hours after an 8 hour wait. (See fig. 9).

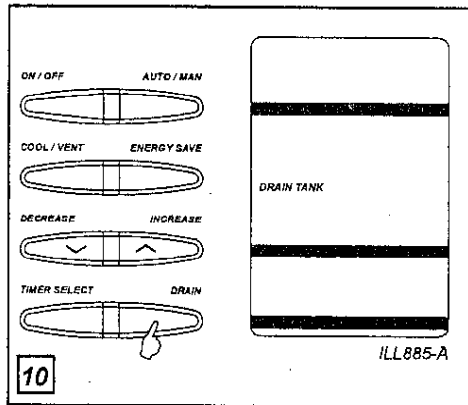
(5) Press **TIMER SELECT** again and it will confirm the window selection by illuminating and commencing "cooler starts in 8 hrs". (See fig. 9).

To cancel the timer setting, press the **ON / OFF** button.

DRAIN

The DRAIN button allows you to open the drain valve in the tank of the cooler and empty the water from the tank. This will leave the tank clean and dry, and switch the cooler off.

The DRAIN button may also be used instead of POWER to switch the cooler off. If the cooler has not been used for 3 days (can be changed to 3 hrs, see fig. 12, page 7) the control will automatically drain the tank to maintain the cleanliness of the system.



PAD CLEANING

Your Breezair Harmony controller is designed to allow cleaning of the cooler's filter pads after the fan has been switched off. This function (Filtration Cycle) is enabled by switching DIP switch 1 ON (see fig. 12, page 7). Once the filtration cycle is enabled (when the cooler is switched off) the pump will run for 90 seconds before switching off.

PRE-COOL HARMONY

Your Breezair Harmony controller is also designed to allow pre-wetting the cooler's filter pads before switching the fan on. This function (pre-cool) is enabled by switching DIP switch 2 ON (see fig. 12, page 7). Once pre-cool is enabled, the cooler will operate as follows when switched on:

- (1) If the tank is empty the drain system will be activated to fill the tank.
- (2) After allowing 60 seconds for the tank to fill, the pump will be switched on to wet the filter pads.
- (3) After the pump has been running for 3 minutes the fan will then revert to normal operation (meaning there will be a 4 minute delay before the fan starts and cooling begins).

WATERmanager™ electronic sensor

Your Breezair Harmony controller is fitted with the WATERmanager™ electronic sensor system which automatically monitors the quality of the water in the cooler and only adds fresh water when required.

WATERmanager™ electronic sensor drains off the existing water in the cooler to allow it to be replaced by fresh water only when needed. How often WATERmanager™ electronic sensor will do this will depend on the quality of the water supply and the nature of the day and rate of evaporation.

In areas of poor water quality WATERmanager™ electronic sensor will operate more frequently as it tries to keep the water in the system at an optimum level to maximise cooling effect and the life of the filter pads.

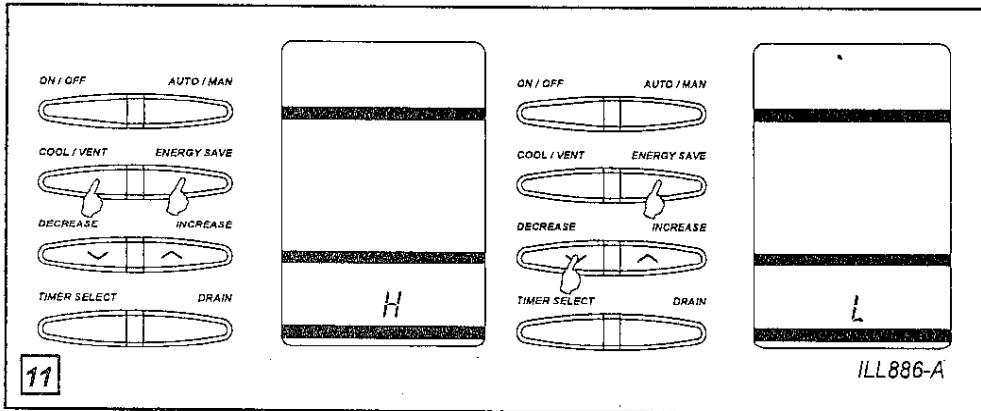
The Harmony controller has a unique adjustment for WATERmanager™ electronic sensor so it can be set specifically to either high or low salinity settings. The low salinity setting has been provided to allow using the cooler's outlet water for watering lawns.

The high salinity setting is designed to operate the cooler at the maximum safe salinity level to maintain normal working life. This also results in the minimum water usage by the cooler.

Note: Outlet water must not be used on a garden when using the high salinity setting.

The current WATERmanager™ electronic sensor setting is displayed by holding down the ENERGY SAVE button and pressing the COOL/VENT button. The setting can be changed by holding ENERGY SAVE button and pressing the INCREASE or DECREASE buttons (see fig. 11).

The factory default WATERmanager™ setting is high. For areas operating with bore water, DIP switch 4 should be switched ON (see fig. 12, page 7). This will disable the salinity measuring circuit and simply drain water every 4 hours of operation. The display will show "4Hrs" when the ENERGY SAVE and COOL/VENT buttons are used to show the WATERmanager™ setting, and cannot be changed using the up and down buttons.



SYMPTOM	ACTION	POSSIBLE CAUSE
• Controller has no display.	Check fuse box. Contact Breezair Service Department.	No power to box. Faulty Controller.
• Fan does not start.	Switch to manual mode.	Is the controller in AUTO or AUTO TIMER mode? There is a 4 minute delay before the fan starts if the pre-cool cycle function is enabled.
• Pump does not start.	Press COOL button, check pre-cool switch. Replace pump.	Cooler in ventilation mode. Pump faulty.

SERVICE / WARRANTY

WARRANTY:

Your Breezair cooler is covered by a two year warranty against failure due to any fault in parts or workmanship.

Our standard two year warranty can be extended by an additional one year simply by phoning our 1300 Warranty Registration Line within 7 days of installing your cooler. On registration of your warranty information onto our data base, you immediately qualify for the maximum extended three year term.

Seeley International
1-11 Rothesay Ave
SAINTMARYS
South Australia 5042
A.C.N. No. 054 687 035

WARRANTY REGISTRATION LINE

FREECALL

1300 650 644

For all your Breezair warranty and service needs. Or contact your local Breezair dealer direct.